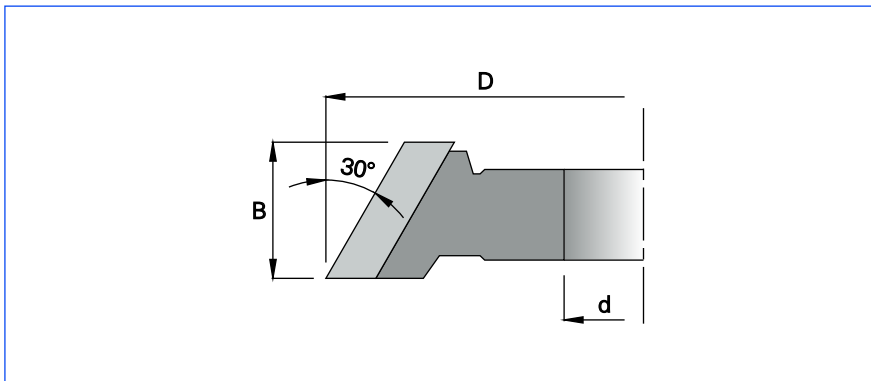


K 210 - B

Fresa per smussi



HW

MAN

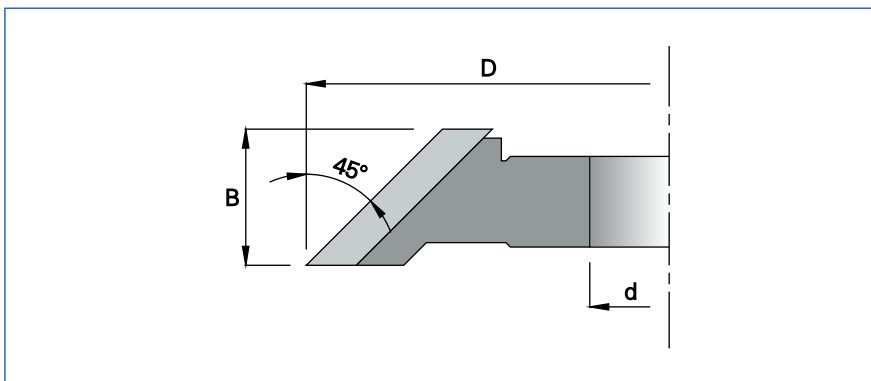
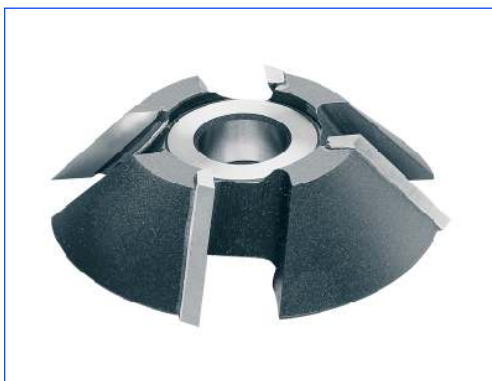
n 5500 - 8100



D	B	d	Z	COD.
140	30	30	4	K210B030HW
140	30	35	4	K210B035HW
140	30	40	4	K210B040HW
140	30	50	4	K210B050HW

K 210 - C

Fresa per smussi



HW

MAN

n 4800 - 7100



D	B	d	Z	COD.
160	30	30	4	K210C030HW
160	30	35	4	K210C035HW
160	30	40	4	K210C040HW
160	30	50	4	K210C050HW



Bevelling cutter.



Fresa para biselar.



Fraise pour chanfrein.



Fasefräser.